



ISO 9001 2000國際品質認證



本機型榮獲專利字號
新型第101792號(凹凸螺絲釘)
新式第086802號(沉水式設計)
新型第134273號(直立式設計)

Advanced Technology · Topnotch Skill **Magnetic Drive Pump**

ISO 9001



Specializing in the manufacturing of Magnetic Drive Pump

Magnetic Drive Pump Series

TMD-06, TMD-09, TMD-18, TMD-25 TYPE



TMD-06



TMD-09



TMD-18

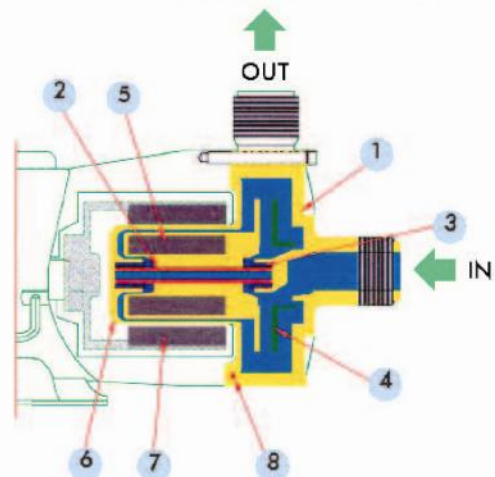


TMD-25

Features

- ❖ Superior combination of materials and a leak-free, sealless design.
- ❖ Excellent corrosion resistant materials such as carbon ceramics, etc....

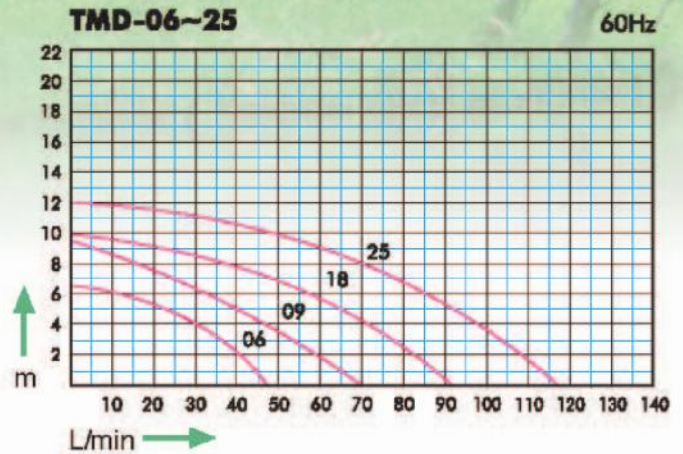
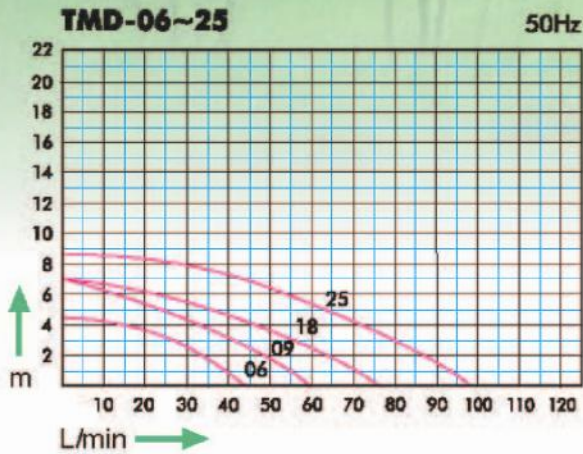
The Structural Graph



The Parts and Materials

Model	TMD-06~25P		TMD-06~25F	
	AC	AL	AC	AL
Chemical Liquid				
Part	Material		Material	
① Front Casing	Glass Fiber-Reinforced PP		Glass Fiber-Reinforced PVDF	
② Spindle	CERAMIC		CERAMIC	
③ Bearing	TEFLON		TEFLON	
④ Impeller	Glass Fiber-Reinforced PP		Glass Fiber-Reinforced PVDF	
⑤ Magnet Capsule	FERRIC		FERRIC	
⑥ Rear Casing	Glass Fiber-Reinforced PP		Glass Fiber-Reinforced PVDF	
⑦ Drive Magnet	FERRIC		FERRIC	
⑧ O-Ring	VITON	EPDM	VITON	EPDM

Performance curves

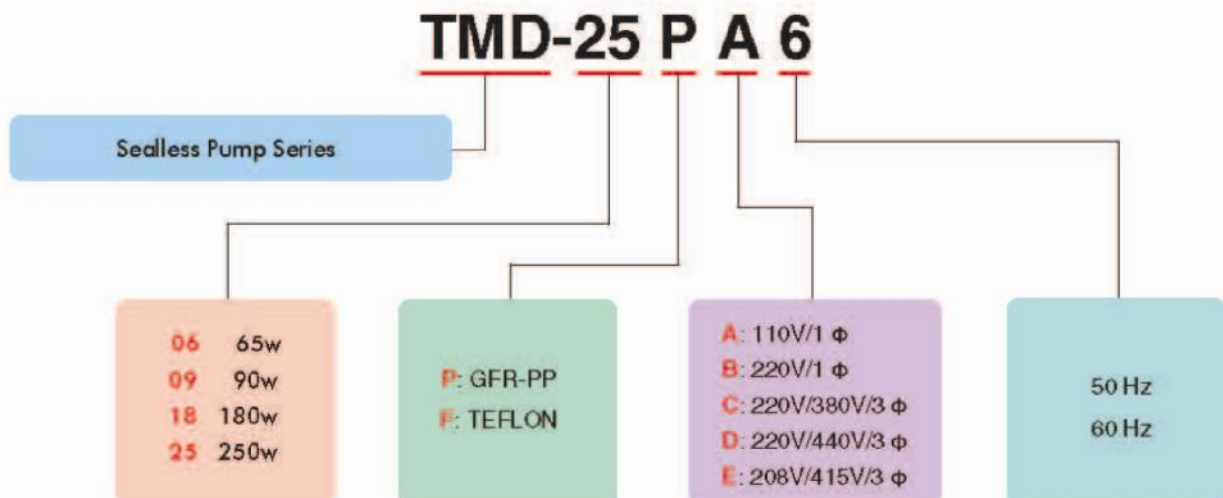


Specifications

50 / 60Hz

Model	Bore		Thread		Max. Capacity L/min	Max. Head m	Temp. Limit	Current	S. G.*	Motor		Pole	Kg
	Inlet	Outlet	Inlet Outlet	Union						Outlet	Phase		
TMD-06	20mm	20mm	PF3/4*	16mm	37/45	4.6/6.5	0~80 ℃	0.35/0.35	1.1	65W	1 or 3	2	4
TMD-09	26mm	26mm	PF 1*	20mm	60/70	7/9.5	0~80 ℃	0.96/0.92	1.2	90W	1 or 3	2	6
TMD-18	26mm	26mm	PF 1*	20mm	73/87	7/9.7	0~80 ℃	0.96/0.92	1.1	180W	1 or 3	2	7
TMD-25	26mm	26mm	PF 1*	20mm	91/110	8.6/12	0~80 ℃	1.4/1.3	1.2	250W	1 or 3	2	8

Pump Identification



Magnetic Drive Pump Series

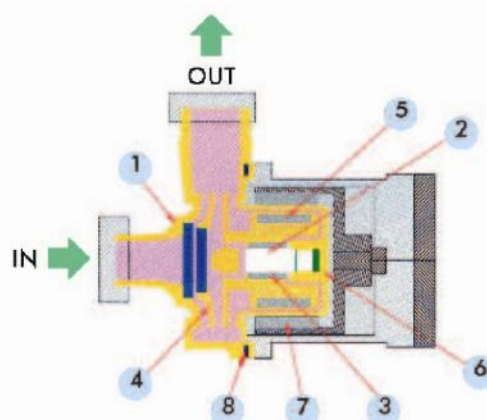
TMD-37, TMD-75, TMD-150, TMD-220, TMD-350, TYPE



Features

- ❖ Superior combination of material and a leak-free, sealless design.
- ❖ Excellent corrosion resistant materials such as carbon, ceramics, etc...
- ❖ Designed with an emphasis on improved durability.
- ❖ Featuring enhanced reliability and safety.
- ❖ The series can be arranged with NEMA or IEC standard motors.
- ❖ Easy maintenance, assembly and disassembly.

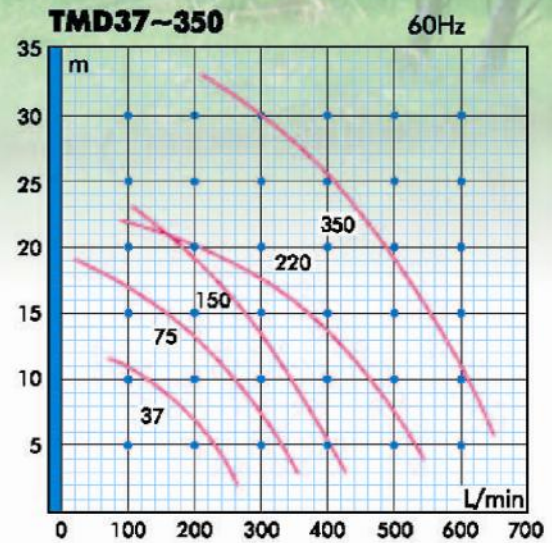
The Structural Graph



The Parts and Materials

Model	TMD-37~75P		TMD-150~350P		TMD-37~75F		TMD-150~350F	
Chemical Liquid	AC	AL	AC	AL	AC	AL	AC	AL
Part	Material				Material			
① Front Casing	Glass Fiber-Reinforced PP				Glass Fiber-Reinforced PVDF			
② Spindle	CERAMIC	SUS316	CERAMIC	SUS316	CERAMIC	SUS316	CERAMIC	SUS316
③ Bearing	SIC				SIC			
④ Impeller	Glass Fiber-Reinforced PP				Glass Fiber-Reinforced PVDF			
⑤ Magnet Capsule	FERRIC		NFb		FERRIC		NFb	
⑥ Rear Casing	Glass Fiber-Reinforced PP				Glass Fiber-Reinforced PVDF			
⑦ Drive Magnet	FERRIC		NFb		FERRIC		NFb	
⑧ O-Ring	VITON	EPDM	VITON	EPDM	VITON	EPDM	VITON	EPDM

Performance Curves



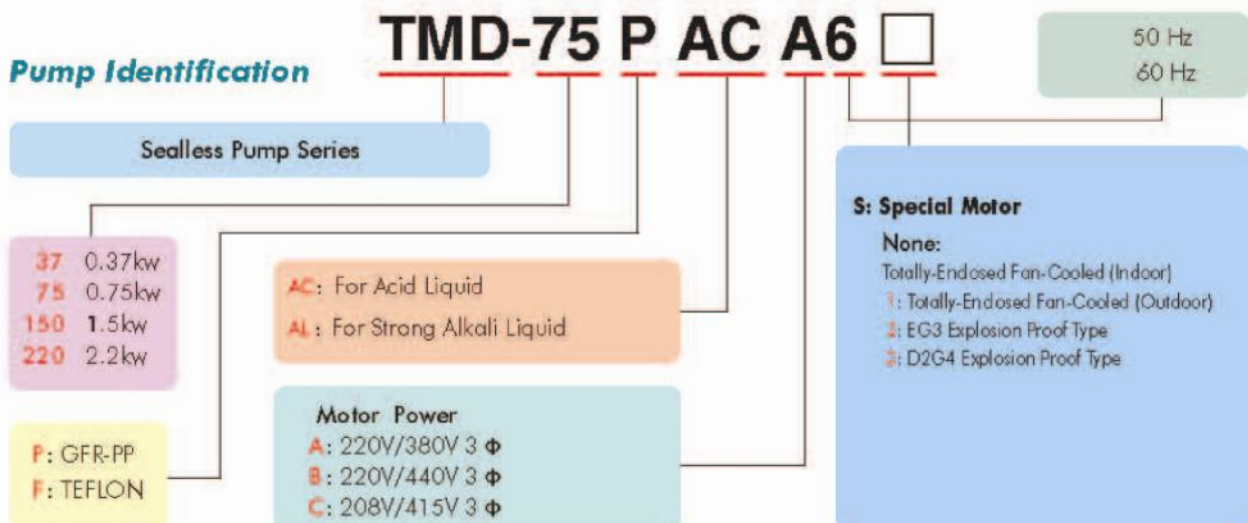
Specifications

50 / 60Hz

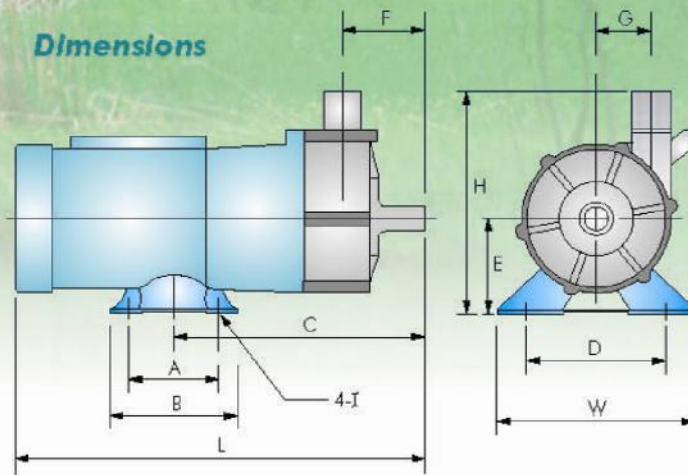
Model	Inhale Bore Size Suction X Discharge	Specific Gravity Limit	Max. Capacity L/min		Max. Head m		Motor Output KW	Pole	Kg W/W1
			50Hz	60Hz	50Hz	60Hz			
TMD-37	40A X 40A FF	1.05	285	280	12.0	11.5	0.4	2	13/12
TMD-75	40A X 40A FF	1.05	355	360	18.0	19.0	0.75	2	22/22
TMD-150	50A X 40A FF	1.2	390	422	23.0	23.0	1.5	2	31/27
TMD-220	50A X 40A FF	1.2	465	545	23.0	22.0	2.2	2	37/29
TMD-350	50A X 40A FF	1.2	560	650	24.0	34.0	3.5	2	68

Material Motor, L, Iron L1, Alumina

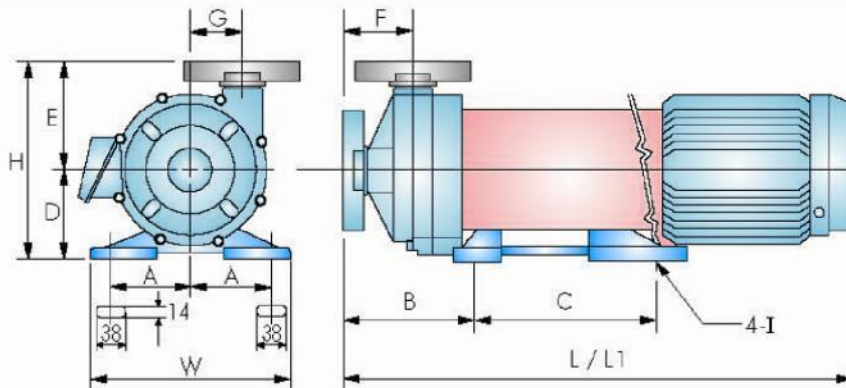
Pump Identification



Dimensions



Model	W	H	L	A	B	C	D	E	F	G	I
TMD-06	103	126	272	50	67	174	84	57	46	34	6.5X10
TMD-09	138	153	270	80	106	198	100	64	53	45	7X14
TMD-18	138	153	270	80	106	198	100	64	53	45	7X14
TMD-25	135	157	345	80	105	230	100	77	55	43	7X14



Model	W	H	L	L1	A	B	C	D	E	F	G	I
TMD-37	140	236	470	443	55	142	99	112	124	88	50	φ11
TMD-75	160	260	525	521	65	168	130	120	140	88	72	φ11
TMD-150	260	255	591	529	104	155	200	115	140	87	72	φ13
TMD-220	260	255	610	563	104	155	200	115	140	87	72	φ13
TMD-350	244	301	672		100	65	320	161	140	90	72	φ13

Material Motor, L:Iron L1:Alumina

Notes on TMD Magnet-Driven Pumps

- ❖ Sealless Magnetic-drive pumps are easy to assembly and disassembly; no need special tools to replace parts.
- ❖ The TMD series pumps are made of anti-corrosion, thermo-plastic GFR-PP, can be applied to wide range of chemical fluids.
- ❖ Thanks to the free seal feature, the pump is best for not allowing leakage.

科技研發 與時俱進 開創新局



Patent is to Approve our result and lead the glory



迎賓大廳



嚴謹的測試品質·提供最佳品質



完備的組立生產線



完整的測試品質·提供產品最佳保證

專利證書



Notices

- ❖ Dry running is absolutely prohibited.
- ❖ Avoid use of magnet-driven pumps on the liquids containing heavy crystal or similar stuffs.

Application Examples

- ❖ PCB manufacturing process.
- ❖ Chemical plants.
- ❖ Filtration.
- ❖ Etching.
- ❖ Metal surface treatment.
- ❖ Heat exchanger.
- ❖ Seawater cultivation.



Specializing in the manufacturing of Magnetic Drive Pump; wide varieties of products; and special order with specific designs.

TRUNDEAN MACHINERY CO., LTD.

Head office / Factory in Taiwan

No. 101 Lane 861, Fu-Kuo Rd., Taoyuan, Taiwan

TEL: +886 3 323 8288 FAX: +886 3 323 8959

Tainan Branch / Factory in Taiwan

No.1-35 Jiu Ying, Jiu Ying Li, Yan Shui Town, Tai Nan County

TEL: +886 6 652 9455 FAX: +886 6 652 9520

Shanghai Branch / Factory in China

No.15 Qian Qiu Qiao Rd, Huang Du Town, Jia Ding District,
Shanghai, P.R.C.

TEL: +86 21 5959 8977 FAX: +86 21 5959 7997

Tailand Branch / Factory

71/90 Sol 13 Chomthong Rd, Chomthong Bangkok 10150 Tailand

TEL: +66 2 878 1885 FAX: +66 2 878 1887

[Http://www.trundean.com.tw](http://www.trundean.com.tw)

E-mail: blower@trundean.com.tw

經銷商